

浙江金纬片板膜设备制造有限公司
ZHEJIANG JWELL SHEET&FILM EQUIPMENT CO.,LTD.

金纬机械 浙江厂区

地址：中国 浙江省 嘉兴市 海宁斜桥工业园 庆丰路128号

电话：0573-8778 6088 / +86 13917612260 (微信同号)

邮箱：salcc@jwell.cn / sales@jwell.cn

投诉邮箱：info@jwell.cn

网址：www.jwellhn.com / www.jwell.cn

JWELL MACHINERY ZHEJIANG FACTORY

Add:No.128, Qingfeng Road, Xieqiao Industrial Zone, Haining City, Zhejiang, China

Tel:+86-573-8778 6088 / +86 13917612260 (Whatsapp)

E-mail: salcc@jwell.cn / sales@jwell.cn

Complaint E-mail:info@jwell.cn

Website: www.jwellhn.com / www.jwell.cn

JWELL
Cast Extrusion Solution



www.jwell.cn

JWELL
Professional Extrusion



www.jwell.cn

BLOW

FOR
PP/PE/BARRIER FILM

吹膜生产线



NO.2023.12.BF

浙江金纬片板膜设备制造有限公司
ZHEJIANG JWELL SHEET & FILM EQUIPMENT CO.,LTD.

金纬机械 智能制造

浙江金纬片板膜设备制造有限公司是金纬机械旗下的又一个重要发展战略中心和制造基地，位于浙江省嘉兴市海宁斜桥工业园区。

公司专注于塑料薄膜挤出设备的设计、研发与制造。

公司产品已遍布全国各地，并出口到俄罗斯、印度、韩国、印尼、中东、非洲、南美洲、西班牙、意大利等100多个国家和地区，深受客户好评。

Zhejiang **JWELL** Sheet and Film Equipment Co., Ltd. is another important strategic development center and manufacturing base of **JWELL** Machinery. It is located in Xieqiao Industrial Park, Haining, Zhejiang Province. We focuses on the design, development and manufacturing of cast film extrusion equipment.

董事长: 何海潮

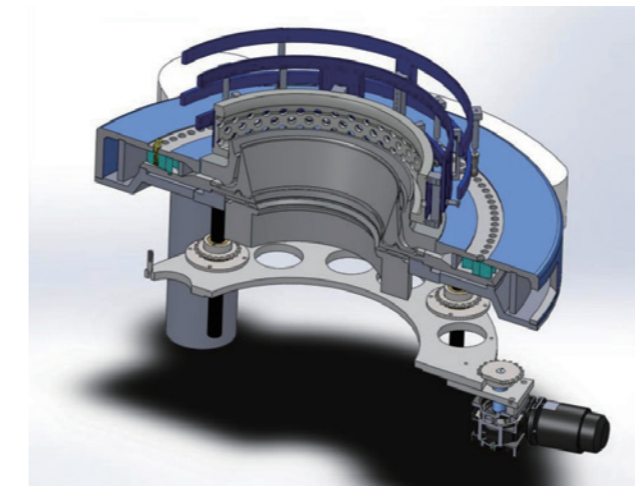
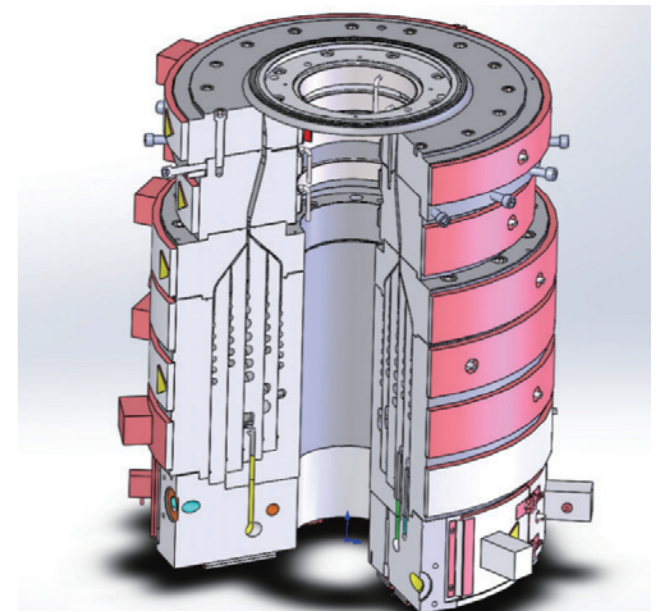
Email: he@jwell.cn

President: He Haichao

Mobile: +86 13601628188



- 独特的圆模头，经过优化设计及流体仿真，确保出料均匀；
Special Blow-die, better uniform flow with optimized design & simulation;
- 自动风环，结合金纬机械自主开发的控制系统，能更精确的控制薄膜的厚度偏差；
Automatic wind ring with JWELL AI control system, Can be more accurate control the thickness deviation of the film.
- 金纬具有几十年的螺杆结构设计经验，确保高产、高效；
JWELL have decades of experience in extrusion screw design to make sure higher capacity and more efficient



- 我们有高端的加工设备，确保核心零部件的加工精度；
We have high-end CNC to ensure the precision of the core parts;
- 我们有成熟的设计团队，确保生产线更加智能、更加高效、更加稳定。
We have a mature design team to make the production line smarter, more efficient and more stable.
- 金纬在全球有8个生产基地，实现高效的资源整合和售后服务。
JWELL have 8 production bases around the world, enabling efficient resource integration and after-sales service.



- **更广泛的加工适应性**
Wider processing adaptability
 本机组采用独特的螺杆结构，针对HDPE、LDPE、LLDPE、MLLDPE、EVA、EAA等原料进行特殊的优化设计，能够获得更好的塑化效果及挤出稳定性。
 The machine adopts a unique screw structure, for HDPE, LDPE, LLDPE, M LLDPE, EVA, EAA and other raw materials for special optimization design. It can obtain better plasticizing effect and extrusion stability.
- **更低的能耗比**
Lower energy consumption ratio
 本机组采用保温型加热圈、节能型驱动电机，并采用更高精度等级的加工及装配方式，使得每吨制品的能耗较传统机型降低约20%。
 The machine adopts thermal insulation heating ring, energy saving drive motor, and adopts higher precision processing and assembly methods, which reduces the energy consumption per ton of products by about 20% compared with traditional models.
- **优质的薄膜品质**
Excellent film quality
 优秀的设计，高精度的加工装备，可有效确保薄膜制品的基础精度。
 Excellent design and high-precision processing equipment can effectively ensure the basic accuracy of film products.

- 主牵引采用S-辊设计并具备通水冷却功能，确保牵引平稳、冷却迅速。
 The main haul off adopts S-roll design and has water cooling function to ensure smooth traction and rapid cooling.
- 优秀的水平旋转向气垫辊装置的设计，最大可能减少对薄膜表面的伤害。
 Excellent horizontal rotation reversing air cushion roller device design, minimize the damage to the film surface.
- 木质、碳纤维人字板自动开合的使用，使得生产线在轻量化上具有突破。
 The automatic opening and closing of wood and carbon fiber herringbone plates makes the production line have a breakthrough in lightweight.



三层/五层 标准型吹膜机组 3/5-layers Standard Blow Film Extrusion Line

生产线规格型号 | Production Line Specification

机型 Model	最大制品宽度 Max. film width mm	制品厚度 Products thickness mm	分层方式 Lay structure mm	装机功率 Total power KW	最大产量 Max. capacity. KW/H
JBF-1600-3/5X	1600	0.03-0.12	A/B/C & A/B/C/D/E	250-300	300-400
JBF-1800-3/5X	1800	0.03-0.12	A/B/C & A/B/C/D/E	300-350	400-500
JBF-2100-3/5X	2100	0.03-0.12	A/B/C & A/B/C/D/E	250-300	500-600
JBF-3000-5X	3000	0.05-0.15	A/B/C/D/E	350-450	600-700

制品用途

设备可用于生产自粘电子保护膜、FFS塑料粒子重包装膜、复合基材膜、快递袋膜等、棉花包装膜、牧草青贮膜、集装箱内包膜。

Product usage

The equipment can be used to produce self-adhesive electronic protective film, FFS plastic particle heavy packaging film, composite substrate film, express bag film and so on.





设备特点

Greentec系列七/九层共挤高阻隔薄膜生产线采用特殊设计的螺杆机筒与模具，可以加工PA、EVOH等树脂材料,使生产出的薄膜制品具有优异的气体阻隔性能，能有效阻断氧气、氮气、二氧化碳、水蒸气的渗透，满足不同用户对于保鲜、气密性、防腐防潮的各类需求。整机同时配备有自动风环、在线测厚系统、失重喂料系统，这些辅助配置可以有效提高薄膜产量与厚薄均匀度。

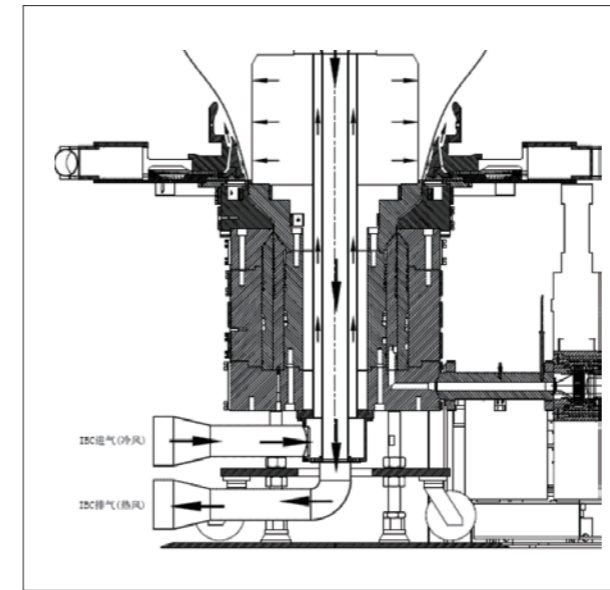
Characteristic

Greentec 7/9-layer co-extrusion high-barrier film line adopts specially designed screw barrel and mold, which can process resin materials such as PA and EVOH, so that film products have excellent gas barrier performance, it can effectively block the penetration of oxygen, nitrogen, carbon dioxide and water vapor, and meet the various needs of different users for preservation, air tightness, corrosion and moisture resistance. The machine is also equipped with automatic air ring, online thickness measuring system, weight-less feeding system, these auxiliary configurations can effectively improve the film production and thickness uniformity.

七层/九层 Greentec 系列吹膜机组
7/9-layers Greentec Blow Film Extrusion Line

生产线规格型号 | Production Line Specification

机型 Model	最大制品宽度 Max. layflat film width mm	制品厚度 Products thickness mm	分层方式 Lay structure mm	装机功率 Total power KW	最大产量 Max. capacity KW/H
GT-1500-7/9X	1500	0.03-0.12	A/B/C/D/E & A/B/C/D/E/F/G/H/I	250-300	300-400
GT-1800-7/9X	1800	0.03-0.12	A/B/C/D/E & A/B/C/D/E/F/G/H/I	300-350	400-500
GT-2200-7/9X	2200	0.03-0.12	A/B/C/D/E & A/B/C/D/E/F/G/H/I	250-300	500-600

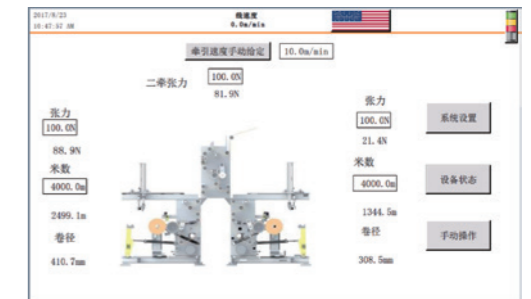


IBC 膜泡内冷系统
IBC inner bubble cooling system

- 采用线性可变温控技术，使得膜泡内部冷却空气温度控制精度得到提高，从而有效控制薄膜收缩量；
Using linear variable temperature control technology, the temperature control precision of the cooling air inside the membrane bubble is improved, so as to effectively control the shrinkage of the film.
- 特殊设计的结构，有助于出风均匀，确保薄膜厚薄的均匀；
The specially designed structure helps to produce uniform air and ensure the uniform thickness of the film.

JBF-AI 操作系统
JBF-AI operating system

- 具有更加直观的可视化操作性；
With more intuitive visual operation.
- 具备更加优化的整线闭环控制能力；
More optimized closed-loop control of the entire line.
- 简约的画面、简洁的逻辑关系，更加符合洁净室级的操作要求。
Simple picture, simple logical relationship, more in line Operating requirements at clean room level.



制品用途:

设备可用于生产冷鲜阻隔包装、熟食阻隔包装、医用阻隔包装等。

Product application

The equipment can be used to produce cold and fresh barrier packaging, cooked food barrier packaging, medical barrier packaging, etc.

